

FaceDeep 5

AI Based Smart Face Recognition Terminal



Liveness Face
Detection

AI

AI Deep Learning
Architecture



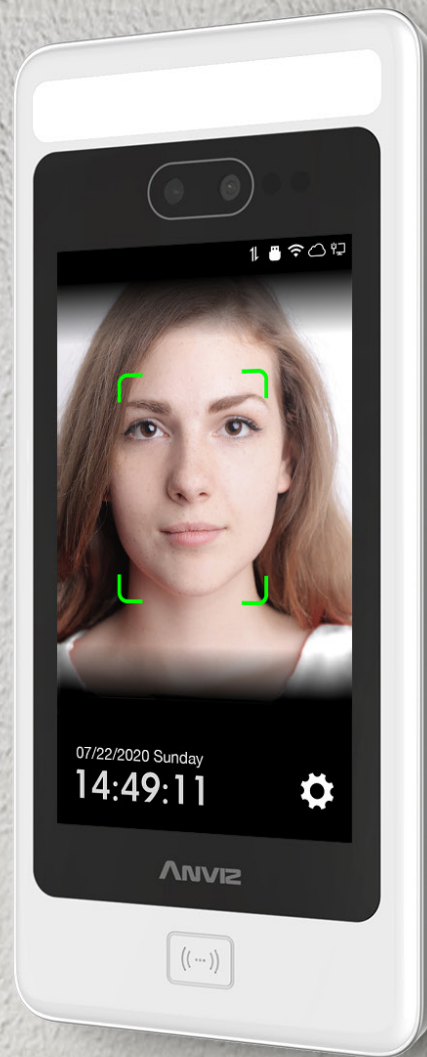
IP65



Mask
Detection



125 KHz EM,
13.56 MHz MiFARE,
DESFire



- New generation touchless solution for the people to access control on the entrance or record time attendance and simultaneously check mask-wearing without having to touch a terminal or gate.
- Built-in IR and visual cameras integrated with Anviz's unique BioNANO[®] algorithm to produce the best in class live face recognition performance
- Mask not-wearing alert
- Register up to 50,000 users for dynamic face authentication
- Recognition distance up to 2M with matching speed < 300ms by 1: 50,000.
- Equipped with a 5" IPS full angles TFT-LCD screen.

FaceDeep 5

AI Based Smart Face Recognition Terminal

Features



1GHz Linux Based Processor

The new Linux based 1GHz processor ensures the 1:50,000 comparison time less than 0.3 second.



Wi-Fi Flexible Communication

Wi-Fi function can realize stable wireless communication and realize flexible installation of equipment.



Liveness Face Detection

Live face recognition based on infrared and visible light.



Wide Angle Camera

The ultra-wide-angle camera enables fast face recognition.



IPS Full Screen

The colorful IPS screen ensures the best interaction and user experiences and can also provide clear notifications to the users.



Web Server

The web server ensures the easily quick connection and self management of the device.



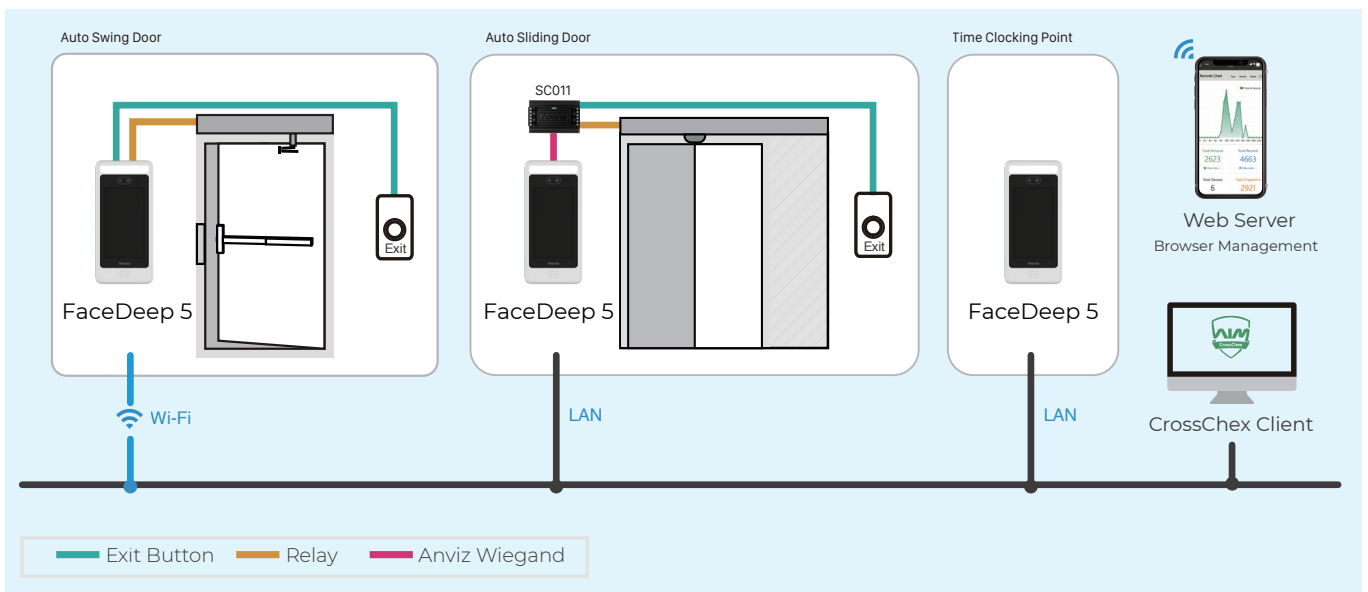
Cloud Application

The web based cloud application let you access to the device by any mobile terminal from anytime and anywhere.

Key Specifications

Max. Users	50,000
Max. Cards	50,000
Max. Logs	100,000
Communication	TCP/IP, RS232, Wi-Fi
Identification Mode	Face, Password, RFID Card
Identification Distance	0.3~2 M
Identification Speed	<300ms
RFID Card	125 KHz EM, 13.56 MHz: MiFARE, DESFire
CPU	Dual Core Linux Based 1GHz CPU with Enhanced AI Computing Power
Temperature Range	-10 °C (14 °F)- 50 °C (122 °F)
Humidity	20% to 90%
Power	DC12V 3A
IP Ratings	IP65
Camera Angle Range for Verification	74.38°(Visual), 67.57°(Infrared)

System Configurations



Anviz Global Inc.

41656 Christy Street Fremont, Fremont, CA, 94538

Tel: 1-510-573-6552 | Toll-free: 1-855-268-4948 | sales@anziv.com | www.anziv.com

©2020 Anviz Global Inc. Anviz and identifying product names and numbers herein are registered trademarks of Anviz Global Inc. All non-Anviz brands and product names are trademarks or registered trademarks of their respective companies. Product appearance, build status and/or specifications are subject to change without notice.