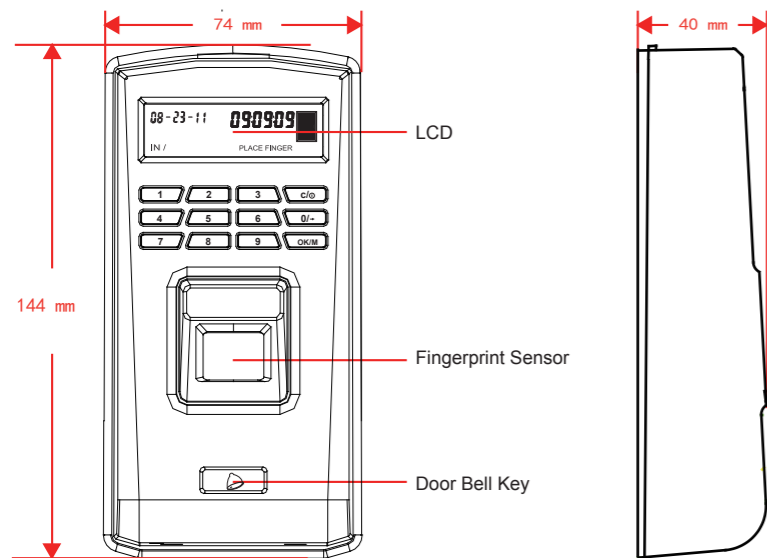
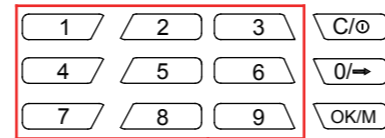


Reader Appearance



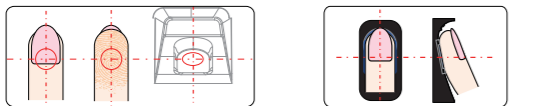
Keypad Instruction:



1-9	Num. Keys Enter Employee ID or Password
C/⊙	Cancel/Power Key Exit/Cancel the Current Operation Power on/Power off
0/→	0: Num. Key →: Select Key
OK/M	Confirm/Menu Key Confirm Current Operation Enter System Management Menu

Illustration for placing finger

- Correct method (Straighten your finger and then place it on the sensor ensuring the finger is down flat and covers the entire sensor windows):



Always place finger in the center of the sensor. Make sure you cover the entire sensor surface with as much of your finger as possible.

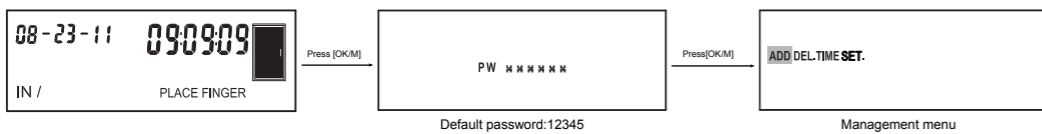
- Incorrect method:



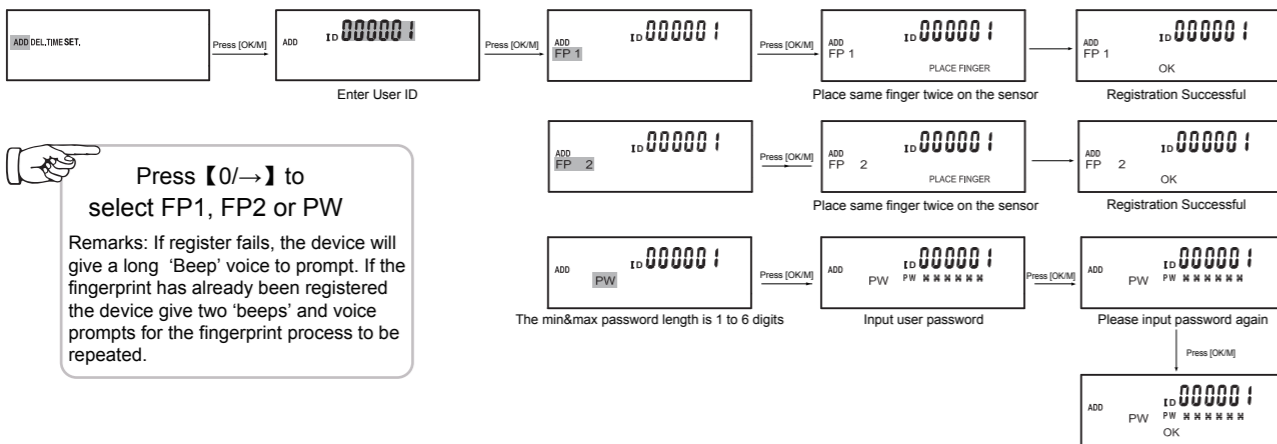
Do not move your finger before the backlight of sensor turns off. Do not place finger away from the center of the sensor window. Do not place finger at an angle. Do not take off finger during the fingerprint verification process. Do not use just your fingertip. Do not slide your finger during the fingerprint verification process.

Operation Guide

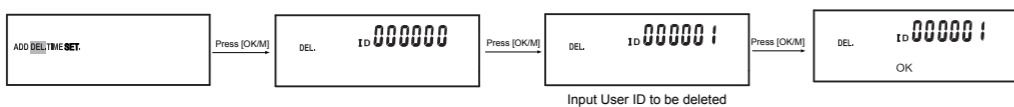
- Management mode: In original state, press [OK/M] then enter the admin password (Default password: 12345) to the management mode.



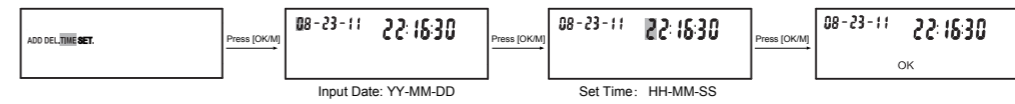
- Add User:



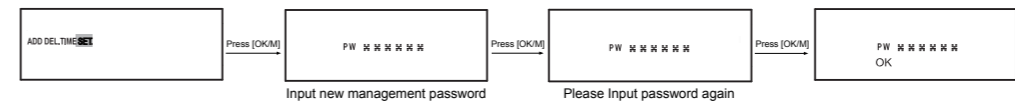
- Delete User: Press [0/→] key select [DEL.] option.



- Setup Date and Time: Press [0/→] to select [TIME] option: Set time and date.



- Management password setup: Press [0/→] to select [SET.] option: Change management password.

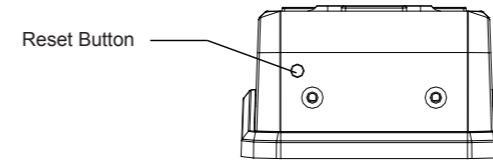


Remarks: If the second password does not match the first. When you press [OK/M] the device will give long beeps to indicate the password changing has failed.

Other Setup

- Reset: Restarts Device

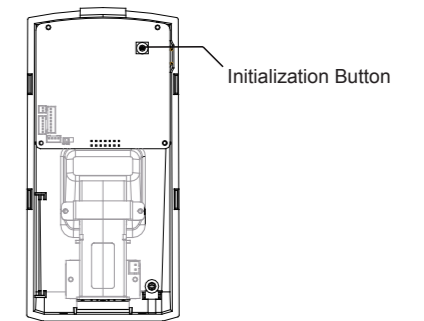
Press the 'Reset' button at the bottom of the device until LCD go out. Now release the button the device will restart.



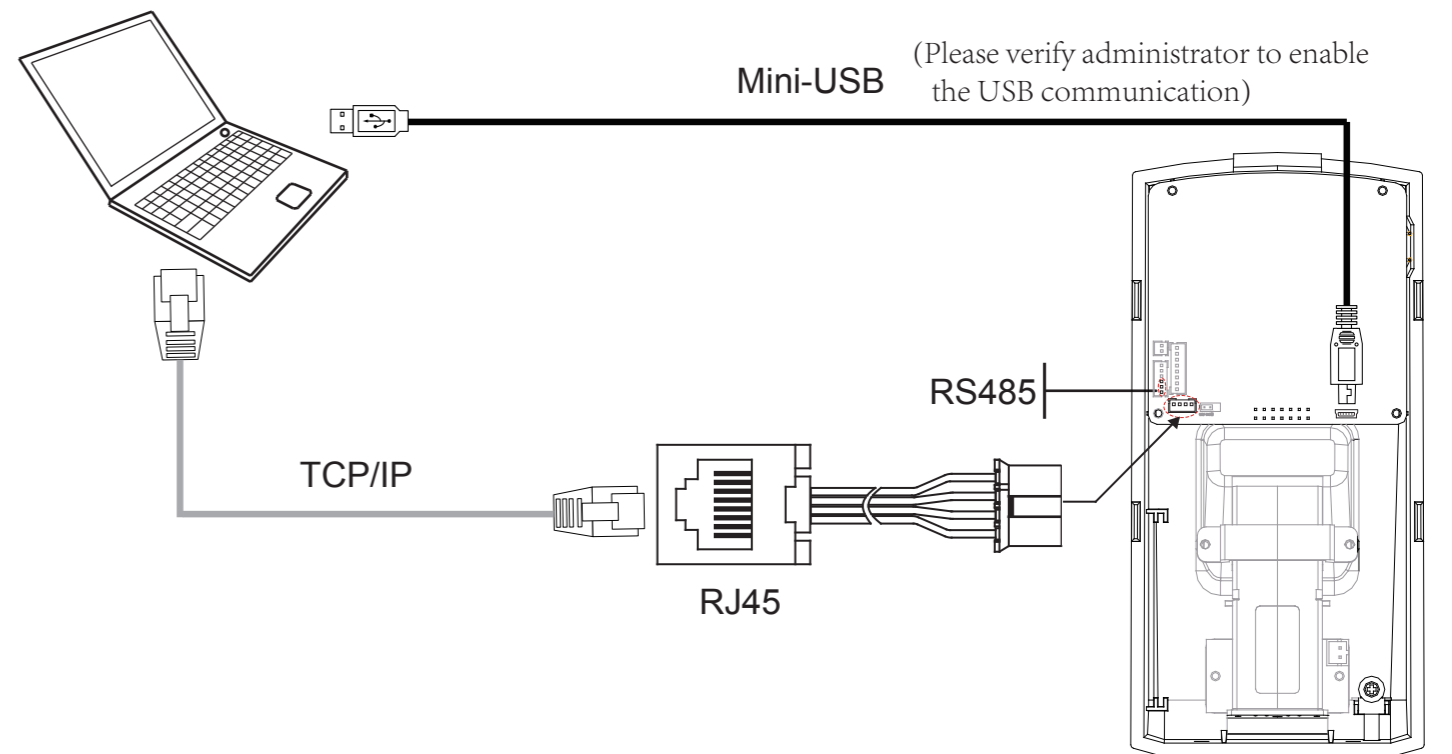
Notice: Resetting will not delete any information or settings stored in the device.

- Initialization: Return password to factory defaults

To initialize the device and reset the management password back to the default password (12345) press the 'Initialization Button' until heard beeps. The operation will not delete any user data stored in the device.



Communication with PC



T50 Professional Access Control Reader

V1.3

Package list

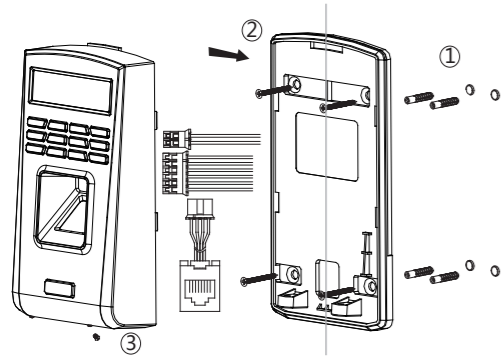
- 1 Reader

- 2 Instruction Package

- 3 Accessory Package

- 4 Connector Jack

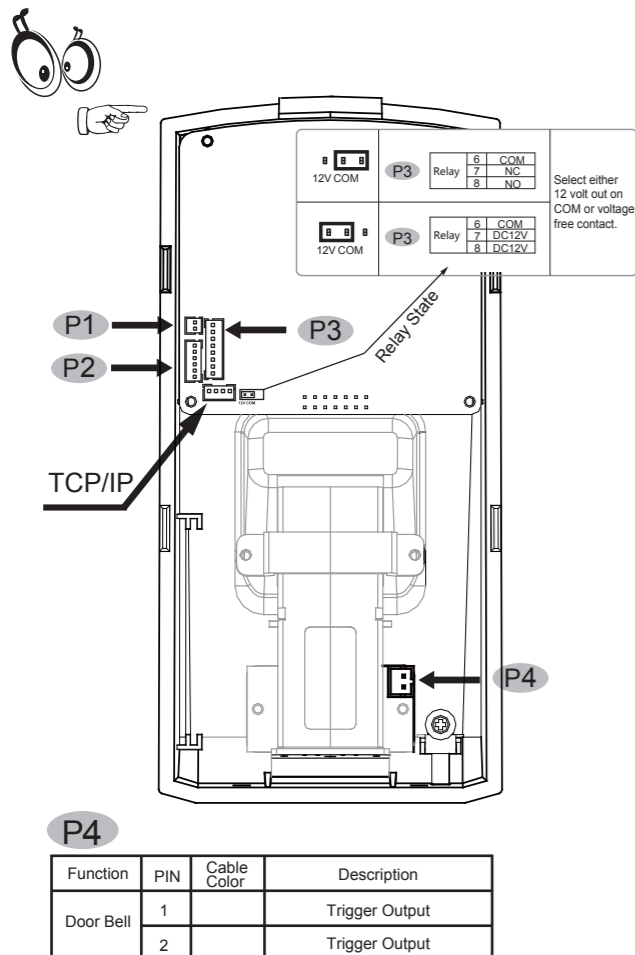

Installation Diagram



Installation Steps:

- 1 Drill holes in the wall follow the hole position on back panel
- 2 Install and fix back panel, connect related cables
- 3 Fix access control reader

Wiring Instruction



P1

Function	PIN	Cable Color	Description
Power	1	Black	GND
	2	Red	DC12V

P2

Function	PIN	Cable Color	Description
Wiegand Output	1	Green	Wiegand DATA0 Output
	2	White	Wiegand DATA1 Output
	3	Black	GND
RS485	4	Yellow	RS485A
	5	Purple	RS485B
	6	Black	GND

P3

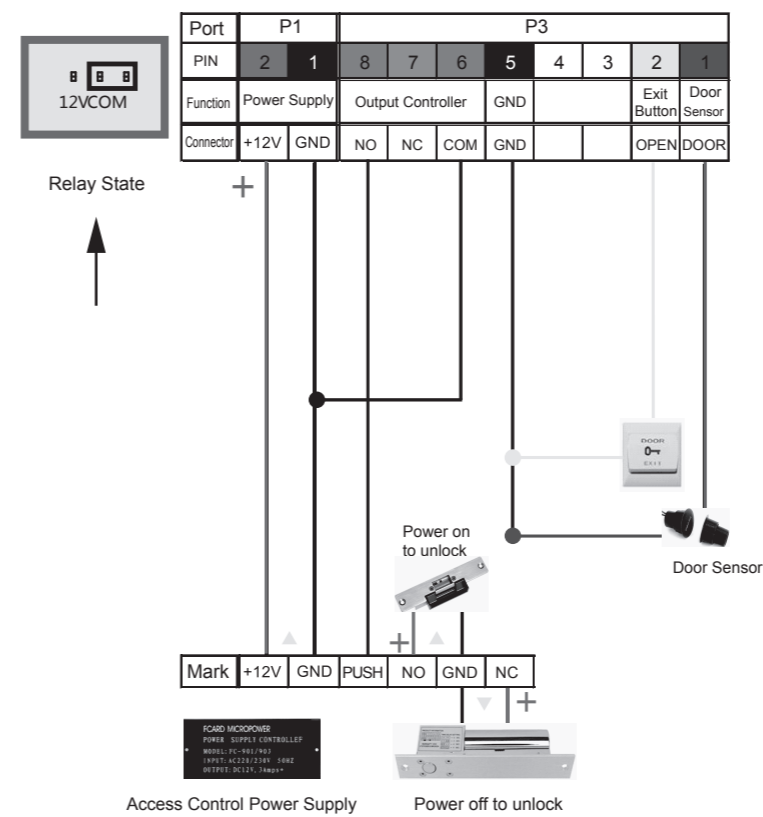
Function	PIN	Cable Color	Description
Door Sensor	1	Purple	Trigger Input
	2	Yellow	Trigger Input
Exit Button	3	White	
	4	White	
GND	5	Black	GND
	6	Green	COM
Relay	7	Orange	NC/DC12V
	8	Blue	NO/DC12V

P4

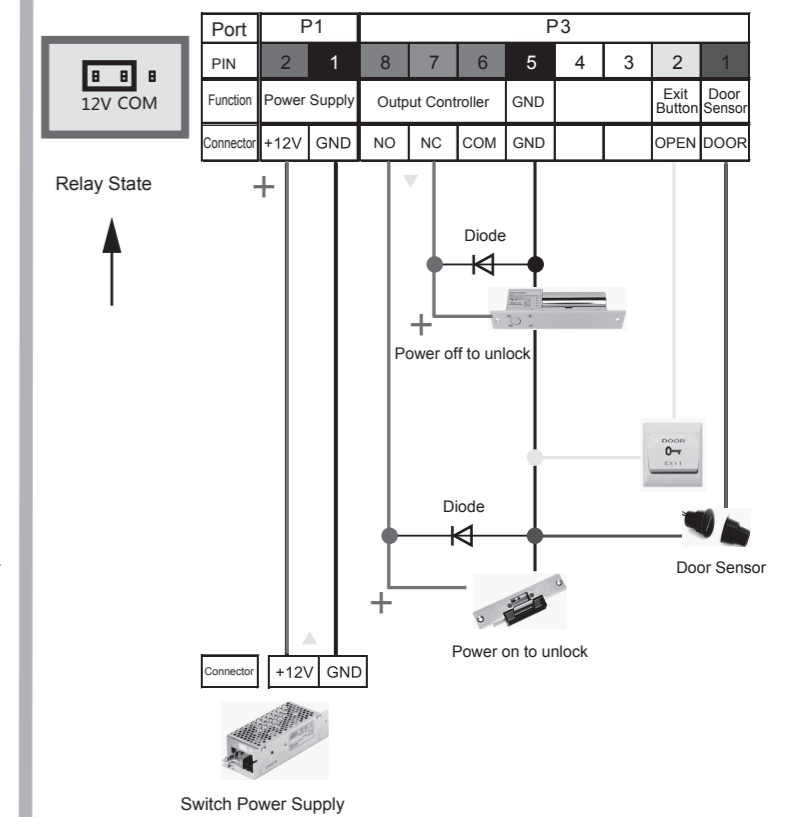
Function	PIN	Cable Color	Description
Door Bell	1		Trigger Output
	2		Trigger Output

Important notice: Please carefully follow this wiring diagram, If the reader gets damaged by incorrect wiring then your warranty will be void.

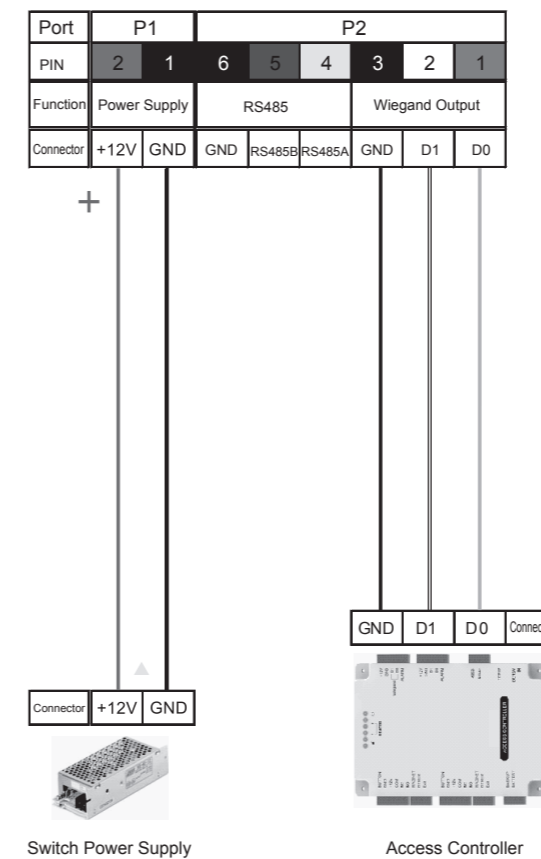
Access Control Reader & Power Supply



Access Control Reader & Switch Power Supply



Access Control Reader & Controller



Waterproof Cover Installation

