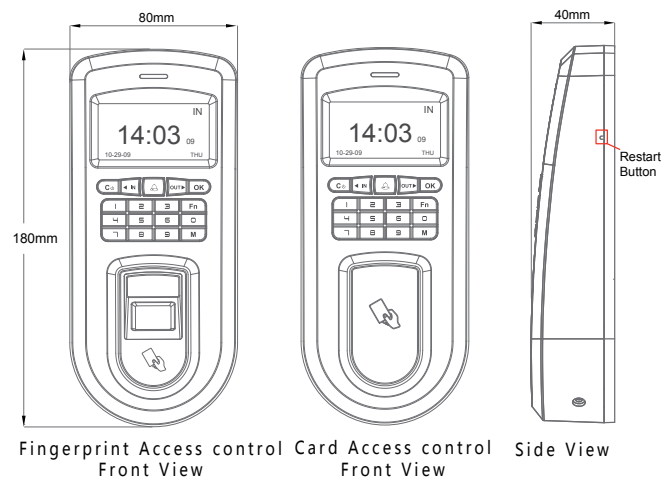


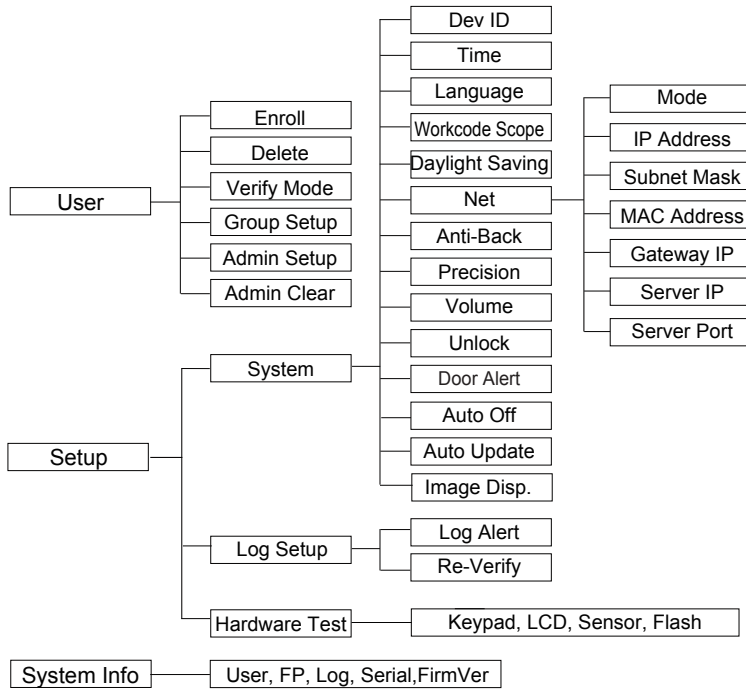
Reader Appearance



M	Menu Key Enter System Management Menu	C	Cancel/Power Key Exit/Cancel the Present Operation Power on/Power off
Fn	Workcode Setup Key	IN	State Key(Clock In)/Up
0-9	Num. Keys Enter Employee ID or Password	OUT	State Key(Clock Out)/Down
		OK	Confirm Key Confirm Present Operation

Menu List

Press [M] key to enter system management menu.
(This requires the administrator authorization if there is admin registered in the system.) Menu List:



Other Setup

Verify Mode: M → [User] → [OK] → [Verify Mode] → [OK] → [OK] → Input employee ID → [OK] → Use [←/IN]/[OUT/→] to select 'ANY/RF+FP/PW+FP/RF+PW/ID+FP' → [OK] → [OK].

Item	Explanation
Any	Fingerprint only, Card only or ID+Password only
RF+FP	It requires both Card and Fingerprint verification together
PW+FP	It requires both Password and Fingerprint verification together
RF+PW	It requires both Card and Password verification together
ID+FP	Enter the user ID first then verify the fingerprint
Factory default setting	Any

WorkCode: M → [Setup] → [OK] → [System] → [OK] → [WorkCode Scope] → [OK] → Input Max → [OK] → Input Min → [OK] → [C] → [OK].

Item	Explanation
0-999999	Valid scope for the Workcode
Factory default setting	Max 999999 Min 0

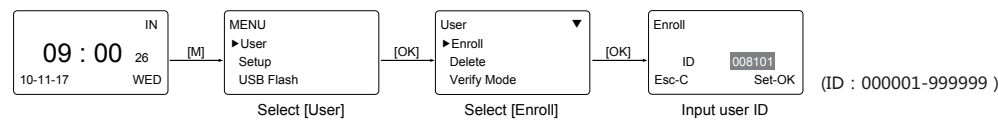
Tips: WorkCode indicates the work type, easily distinguishes which attendance record is related to which work type.

Net: M → [Setup] → [OK] → [System] → [OK] → [Net] → [OK] → to select [Mode/IP Address/Subnet Mask/MAC Address/Gateway IP/Server IP/Server Port] → [OK] → Modify parameters → [C] → [OK].

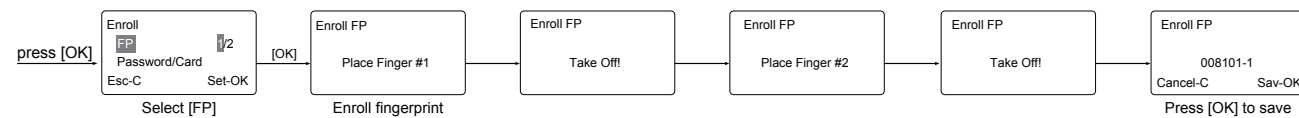
Item	Explanation	Factory default setting
Mode	TCP/IP Server mode: Common network mode TCP/IP Client mode: Only communicate with the PC which has static IP	Server Mode
IP Address	Set terminal IP address when communication of TCP/IP, IP address must be a static IP address.	192.168.0.218
Subnet Mask	Subnet Mask of the LAN	255.255.255.0
MAC Address	Unique Physical address of the network module. This setting can not be modified.	
Gateway IP	Default Gateway of the LAN	192.168.0.1
Server IP	The IP address of the Sever Machine when using Client Mode TCP/IP communication.	192.168.0.7
Server Port	It's the Software Port number used when the read is configured for TCP/IP communication.	5010

Operation Guide

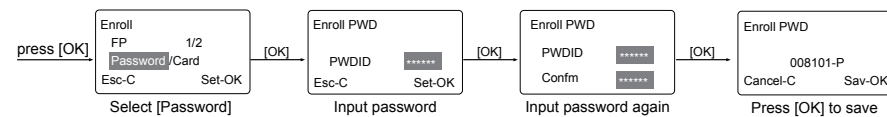
1 **Enroll User:** Each user can register two fingerprints, one password and one RFID card.



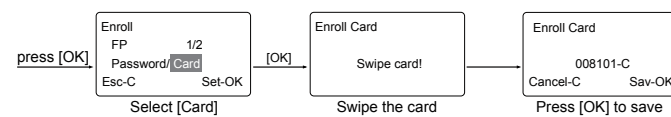
• **Enroll Fingerprint:** Place the same finger on the sensor twice in a row to enroll fingerprints.



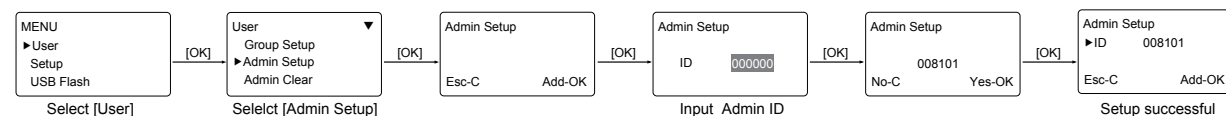
• **Enroll Password:** Password length: 000000-999999.



• **Enroll Card :**



2 **Admin Setup:** Admin(Administrator) has full access permissions to the device. It is recommended to assign a minimum of two administrators to each unit.



Group Setup: M → [User] → [OK] → [Group Setup] → [OK] → [OK] → Input employee ID → [OK] → Input the group ID → [OK] → [OK].

Item	Explanation
G00	The user in Group00 can not open the door
G01	The user in Group01 can open the door anytime
G02-16	It is according to the Group & Time zone setting which can be set through the software
Factory default setting	G01

Tips: Group setup is used for managing the access control privileges. Each group can contain 4 time zones.

Item	Explanation
1-99999999	Device ID of the unit which is required in software communication
Factory default setting	1

Tips: It doesn't allow duplicate Device ID in one LAN. Otherwise, it will cause software communication error.

Language: M → [Setup] → [OK] → [System] → [OK] → [Language] → [OK] → Use [←/IN]/[OUT/→] to select ENG/FRCH/GERM/... → [OK] → [C] → [OK].

Item	Explanation
Languages	Optional 4 languages.
Factory default setting	Related Language

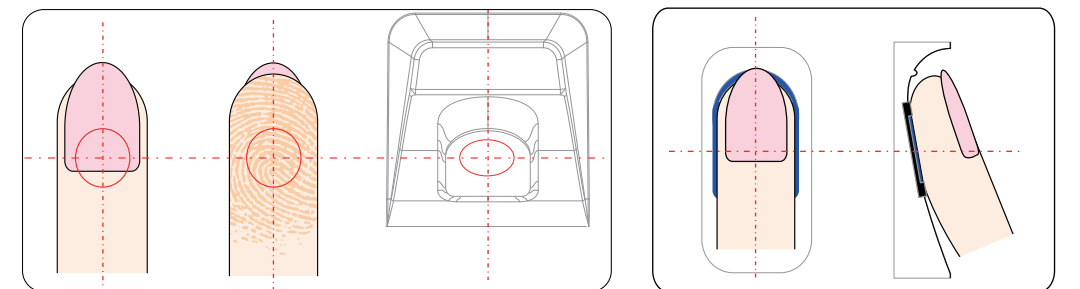
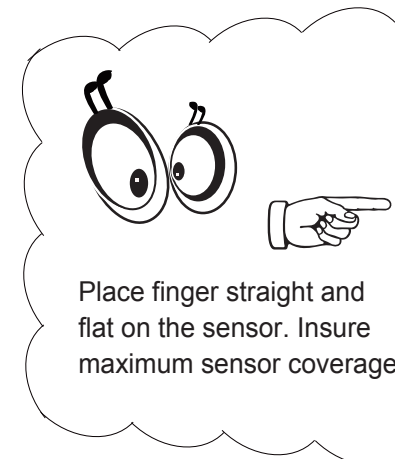
Unlock: M → [Setup] → [OK] → [System] → [OK] → [Unlock] → [OK] → No/1-15 → [OK] → [C] → [OK]. 'No'-no delay time; The maximum delay time is 15 seconds.

Item	Explanation
1-15	The duration of the audible alarm to notify employees of events. (Lunch, break, Off Duty)
No	The device does not generate a door open signal after successful verification.
Factory default setting	5

Door Alert: M → [Setup] → [OK] → [System] → [OK] → [Door Alert] → [OK] → to select No/1-99 → [OK] → [C] → [OK]. 'No'-no alert signal.

Item	Explanation
1-250	It generates the door open alarm signal if the door open time is longer than the preset value
No	Disable the door open alarm
Factory default setting	15

Illustration for placing fingerprint



Place finger in the center of the sensor.

Place finger on the sensor surface

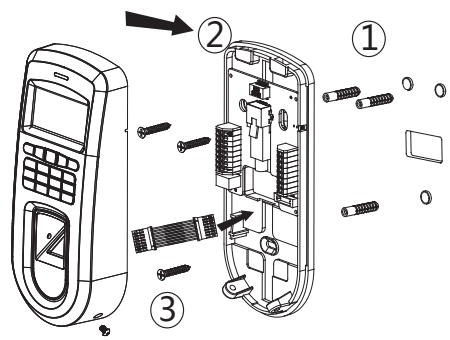
VF30/VP30 Professional Access Control

Package List

- 1 Reader
- 2 Instruction Package
- 3 Accessory Package
- 4 Connector Jack



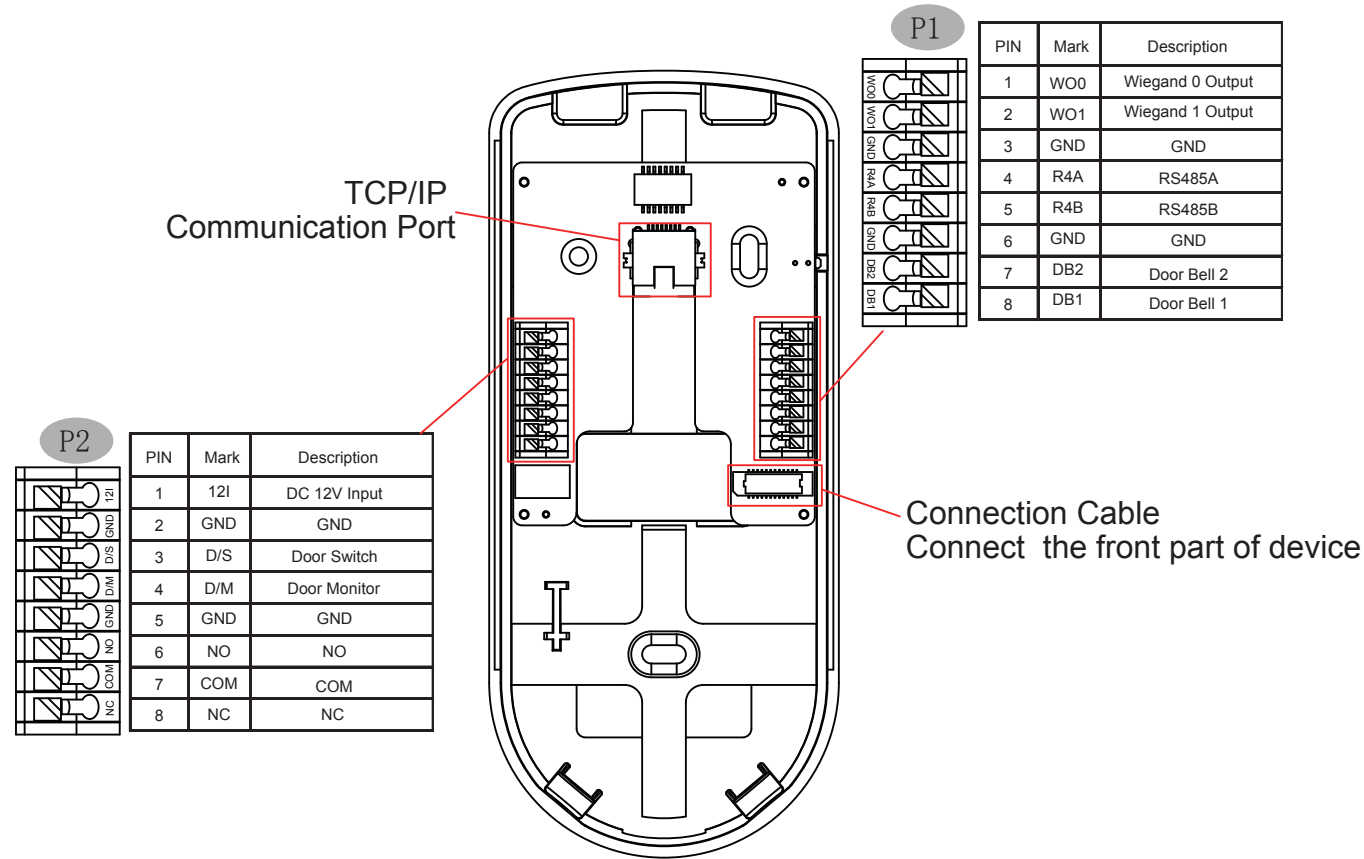
Installation Diagram



Installation Step

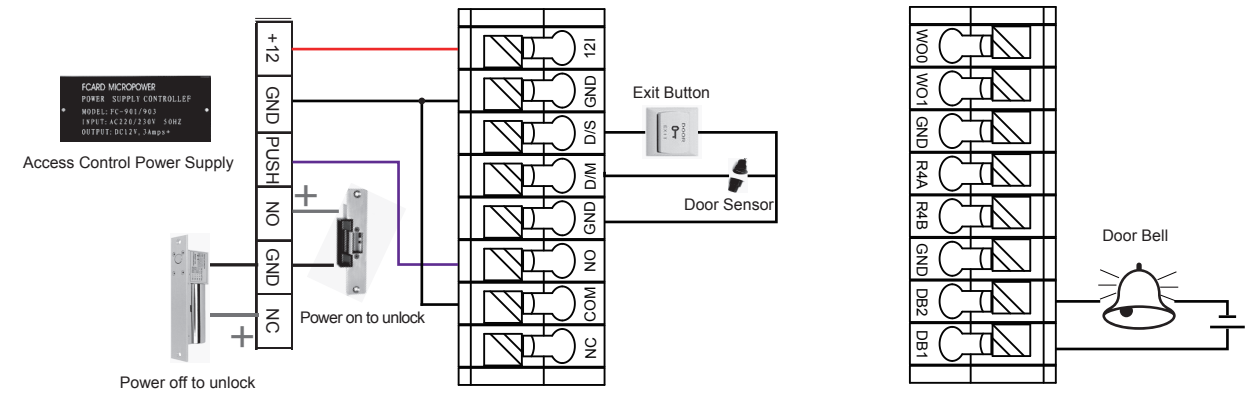
- 1 Drill holes in the wall follow the hole position on back panel
- 2 Install and fix back panel, connect related cables
- 3 Connect back panel to front panel by flat cable
- 4 Attach access control reader

Wiring Instruction

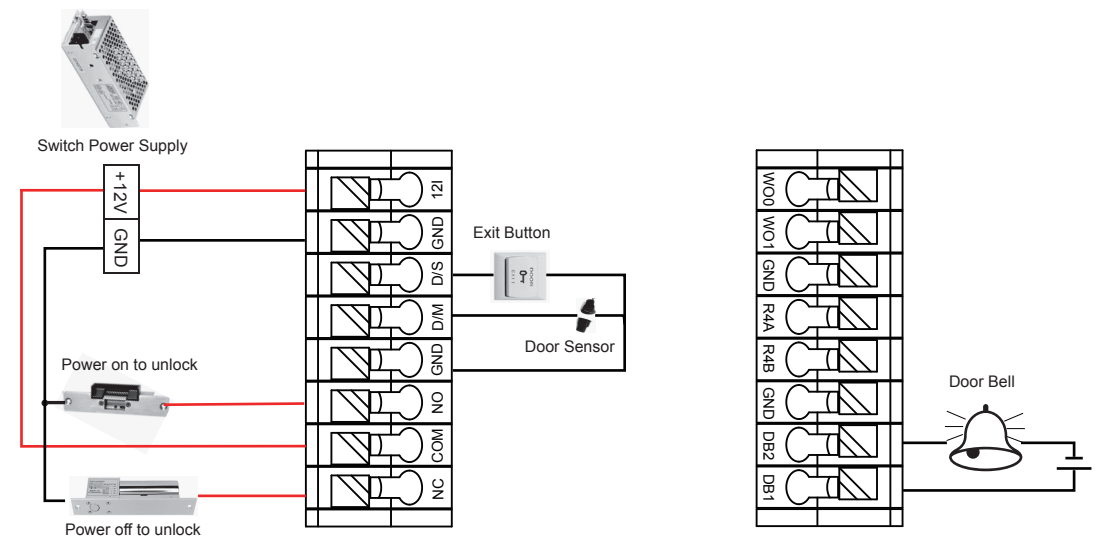


Important notice: Please follow the wiring diagram as it is displayed. Damaged products due to improper wiring are not covered by product warranty.

Access Control Reader & Access Control Power Supply



Access Control Reader & Switching Power Supply



Access Control Reader & SC011

