



# iCam-D48F

4K AI Fisheye Network Camera



360 Degree  
Panorama Viewing



IP66 Weather  
Proof



Ultra Low  
Light



4K Full HD  
Imaging



Person  
Detection



Vehicle  
Detection



Mobile APP



HDR

iCam-D48F is a waterproof fisheye camera with 8M/4K full HD resolution and stylish design. It can give a 360 degree panorama image when ceiling mounted and 180 degree panorama viewing for side wall mounted. The HDR and ultra low light lens ensures getting clear image under strong and low light environments. The IP66 design ensures the flexible installation in the outdoor & indoor areas. The edge storage SD card slot can support up to 128GB micro SD card and 2 weeks full video storage. The device has built-in person detection and vehicle detection functions to easily get event alarm from the IntelliSight mobile APP.



Person Detection




Vehicle Detection



# iCam-D48F

## 4K AI Fisheye Network Camera

### Specifications

|                          |  |
|--------------------------|--|
|                          |                                      |
| <b>Model</b>             | <b>iCam-D48F</b>   |
| <b>Camera</b>            |  |
| Image Sensor             | 1/1.8" 8 Megapixel Progressive Scan CMOS   |
| Max. Resolution          | 3840(H) x 2160(V)  |
| Shutter Time             | 1/12s ~ 1/10000s   |
| Minimum Illumination     | Color: 0.1Lux @(F1.2, AGC ON)  |
|                          | B/W: 0Lux @(IR LED ON)   |
| Day/Night                | IR-CUT with Auto Switch/Scheduled  |
| WDR                      | HDR  |
| BLC                      | Support  |
| <b>Lens</b>              |  |
| Mount Type               | Fixed M12  |
| Focal Length             | 1.7mm (0.07")  |
| Aperture                 | F2.0   |
| FOV                      | 185°(H)  |
| Iris Type                | /  |
| <b>Illuminator</b>       |  |
| IR Range                 | Up to 15m (590.55')  |
| Wavelength               | 0.85mm (0.03")   |
| <b>Audio</b>             |  |
| Audio Compression        | G.711, G.72 6, AAC-LC  |
| Audio Type               | Mono   |
| Audio Capability         | Environmental Noise Filter, Echo Cancellation, Two-way Audio   |
| <b>Video</b>             |  |
| Video Compression        | H.264, H.265   |
| Video Bit Rate           | 512kbps-16mbps   |
| Resolution               | Main Stream (3840*2160, 2560*1440, 1920*1080, 1280*720)  |
|                          | Sub Stream (1920*1080, 1280*720, 704*576, 640*480)   |
|                          | Third Stream (1280*720, 704*576, 640*480)  |
| Live View                | On Board Support: Fisheye View, 180° Panorama View, Fisheye + 3 ePT  |
| Region of Interest (ROI) | 4 Fixed Regions for Each Stream; Target Cropping of Third Stream   |
| <b>Image</b>             |  |
| Image Setting            | Saturation, Brightness, Contrast, sharpness, Auto white balance  |
| Image Enhancement        | Lens Distortion Correction, Defog, 2D/3D DNR   |
| S/N Ratio                | 39dB   |
| Dynamic Range            | >74dB  |
| Others                   | OSD, ImageFlip, Picture Overlay  |
| <b>Smart Events</b>      |  |
| Video Analytics          | Defocus Detection, Scene Change Detection, Occlusion Detection   |
| Smart Events             | Intrusion Detection, Line Crossing Detection, Region Entrance Detection, Region Exiting Detection, Loitering Detection |
| Deep Learning Events     | Vehicle Detection, Face&Pedestrian Detection, Face Match (-P), ANPR (-C)   |
| <b>Network</b>           |  |
| Protocols                | TCP/IP, ICMP, HTTP, HTTPS, FTP, DHCP, DNS, DDNS, RTP, RTSP, RTCP, PPPoE, NTP, UPnP, SMTP, SNMP, IGMP, IPv4, IPv6       |
| Compatibility            | ONVIF, GB28181, CGI API  |
| Management               | IntelliSight Cloud Desktop Software, IntelliSight Mobile APP   |
| <b>Interface</b>         |  |
| Ethernet                 | 1 RJ45 (10M/100M/1000M)  |
| Storage                  | Built-in MicroSD/SDHC/SDXC Slot, up to 128 GB  |
| Alarm                    | 1 Input, 1 Output  |
| Audio                    | 1 Built-in Mic, External 1 Line in, External 1 Line out  |
| Key                      | Reset Button   |
| <b>General</b>           |  |
| Power Supply             | DC12V 1A/POE (IEEE 802.3af)  |
| Power Consumption        | <12W   |
| Operating Conditions     | -30°C to 60°C (-22°F to 140°F), Humidity: 10% to 90% (No Condensation)   |
| Weather Proof            | IP66   |
| Certifications           | CE, FCC, RoHS  |
| Weight                   | 2.5KGS   |
| Dimensions               | Ø158*70mm (Ø6.22*4.33")  |

# iCam-D48F

4K AI Fisheye Network Camera

## Features



### One for All and All in One

With D2 fisheye model, one camera can cover an up to 200 square meters' area and all the person and vehicles could be detected and alarmed. It can give a 360 degree panorama view for ceiling mounted and 180 degree panorama view for side wall mounted.



### Crisp 4K

Capturing 4K ultra HD video that delivers detailed images of vehicle, person, faces, and more.



### Edge AI Application

The powerful edge AI engine helps to get real-time vehicle and person detection events from your mobile phone and no need any extra server investment.



### Up to 14 Days Edge Storage

A built-in up to 128GB micro-sd card slot plus Anviz smart stream technology ensures an up to 14 days full time edge storage.



### Indoor and Outdoor

Weather-resistant IP66-rated casing allows this versatile camera to be deployed anywhere.



### Crisp Night Vision

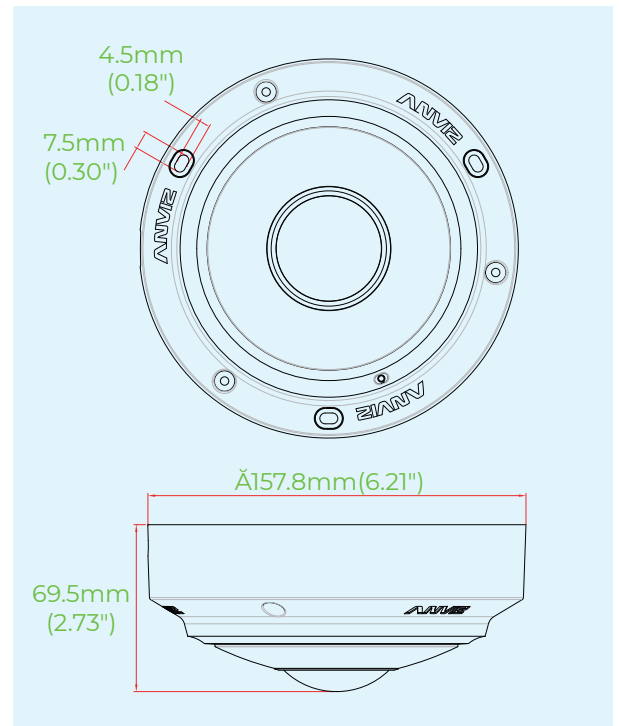
The infrared LEDs with an automatic IR cut filter and the enhanced low-light design delivers pristine image clarity, even in harsh weather or dark areas.



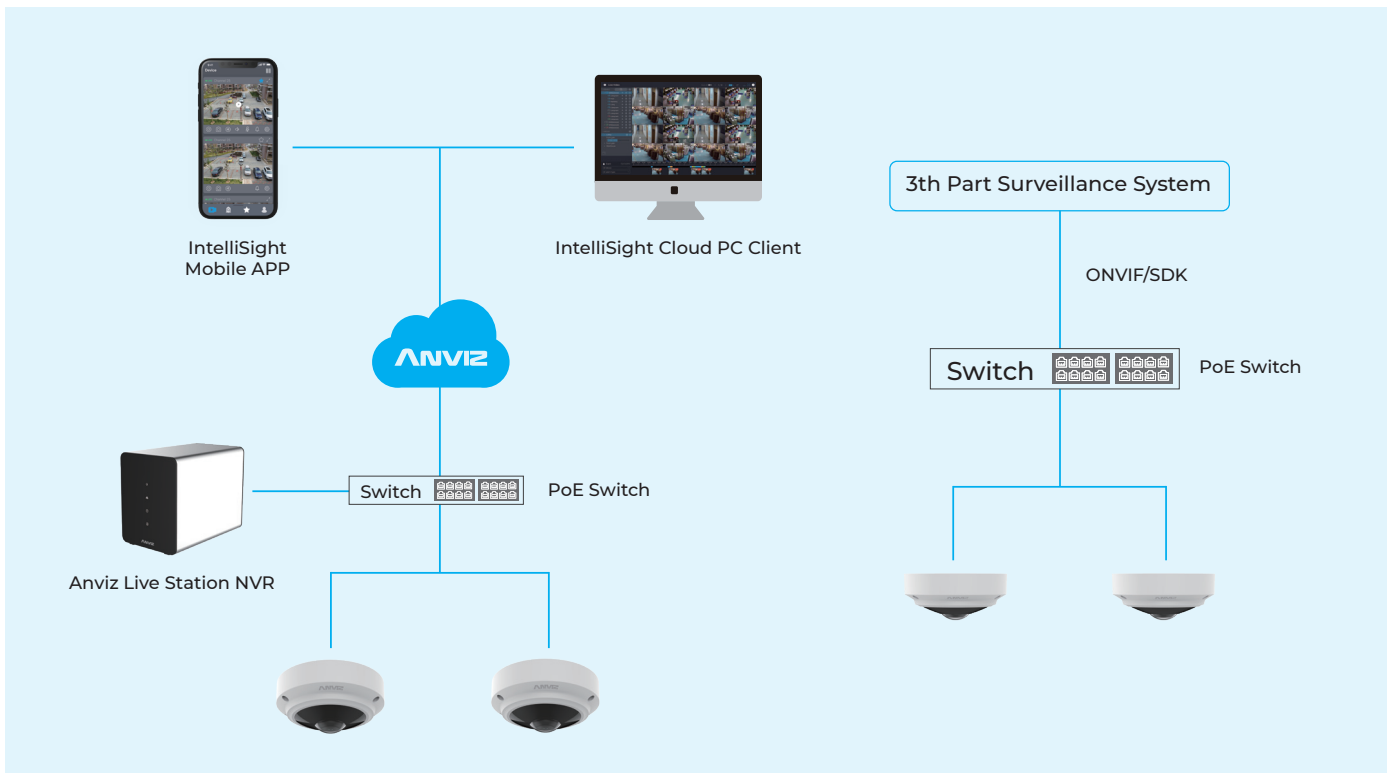
### Remote Access and Management

The camera could easily link to cloud and the IntelliSight mobile APP let you access to and manage the camera from anywhere using an ios or Android phone.

## Product Dimensions



## System Configurations



**ANVIZ**  
POWERING A SMARTER WORLD

### Anviz Global Inc.

41656 Christy Street Fremont, Fremont, CA, 94538

Toll-free: 1-855-268-4948 | [sales@anziv.com](mailto:sales@anziv.com) | [www.anviz.com](http://www.anviz.com)

©2021 Anviz Global Inc. Anviz and identifying product names and numbers herein are registered trademarks of Anviz Global Inc. All non-Anviz brands and product names are trademarks or registered trademarks of their respective companies. Product appearance, build status and/or specifications are subject to change without notice.