



# iCam-D48Z

8MP AI IR Weather-Proof Dome Network Camera



40 Meters IR



IP66 Weather Proof



Ultra Low Light



4K Full HD Imaging



Person Detection



Vehicle Detection



Mobile APP



HDR



SD Card



IK10 Vandal Proof

iCam-D48Z is a water-proof and vandal-proof design camera with 8MP/4K Ultra HD resolution and stylish design. The perfect combination of Intelligent infrared-light and star-light function greatly improve the visibility effect in the dark and low-light environments. The 3X motorized lens can clearly auto adjust the images within 40 meters range. The IP66 and IK10 design ensures the flexible installation in the outdoor and harsh indoor environment. The iCam-D48Z supports standard H.264/H.265 and also the onvif protocol. The edge storage SD card slot can support up to 128GB edge storage. The device has built-in person detection and vehicle detection functions for you to easily get event alarm from the IntelliSight mobile APP.

# iCam-D48Z

## 8MP AI IR Weather-Proof Dome Network Camera

### Specifications

	
Model	<b>iCam-D48Z</b>
Camera	
Image Sensor	1/1.8" 8 Megapixel Progressive Scan CMOS
Max. Resolution	3840(H) x 2160(V)
Shutter Time	1/12s ~ 1/10000s
Minimum Illumination	Color: 0.1Lux @(F1.2, AGC ON) B/W: 0Lux @(IR LED ON)
Day/Night	IR-CUT with Auto Switch/Scheduled
WDR	HDR
BLC	Support
Lens	
Mount Type	Motorized Varifocal Lens, Support Remote Focus and Zoom
Focal Length	3.6 to 10mm(14.17 to 39.37") Zoom Lens with DC-IRIS
Aperture	F1.5 (W) ~ F2.8 (T)
FOV	99-42°(H)
Iris Type	DC-IRIS
Illuminator	
IR Range	Up to 40m (1574.80")
Wavelength	850nm
Audio	
Audio Compression	G.711, G.726, AAC-LC
Audio Type	Mono
Audio Capability	Environmental Noise Filter, Echo Cancellation, Two-way Audio
Video	
Video Compression	H.264, H.265
Video Bit Rate	512kbps ~ 16mbps
Resolution	Main Stream (3840*2160, 2560*1440, 1920*1080, 1280*720) Sub Stream (1920*1080, 1280*720, 704*576, 640*480) Third Stream (1280*720, 704*576, 640*480)
Region of Interest (ROI)	4 Fixed Regions for Each Stream; Target Cropping of Third Stream
Image	
Image Setting	Saturation, Brightness, Contrast, Sharpness, Autowhitebalance
Image Enhancement	Lens Distortion Correction, Defog, 2D/3D DNR
S/N Ratio	39dB
Dynamic Range	>74dB
Others	OSD, ImageFlip, Picture Overlay
Smart Events	
Video Analytics	Defocus Detection, Scene Change Detection, Occlusion Detection
Smart Events	Intrusion Detection, Line Crossing Detection, Region Entrance Detection, Region Exiting Detection, Loitering Detection
Deep Learning Events	Vehicle Detection, Face&Pedestrian Detection, Face Match (-P), ANPR (-C)
Network	
Protocols	TCP/IP, ICMP, HTTP, HTTPS, FTP, DHCP, DNS, DDNS, RTP, RTSP, RTCP, PPPoE, NTP, UPnP, SMTP, SNMP, IGMP, IPv4, IPv6
Compatibility	ONVIF, GB28181, CGI API
Management	Intellisight Cloud Desktop Software, IntelliSight Mobile APP
Interface	
Ethernet	1 RJ45 (10M/100M/1000M)
Storage	Built-in MicroSD/SDHC/SDXC Slot, up to 128 GB
Alarm	1 input, 1 output
Audio	1 Built-in Mic, External 1 Line in, External 1 Line out
Key	Reset Button
General	
Power Supply	DC12V 1A/POE(IEEE 802.3af)
Power Consumption	<12W
Operating Conditions	-30°C to 60°C (-22°F to 140°F), Humidity: 10% to 90% (No Condensation)
Weather Proof	IP66
Certifications	CE, FCC, ROHS
Weight	3.5KGS
Dimensions	Ø158*110mm (Ø6.22*2.76")

# iCam-D48Z

8MP AI IR Weather-Proof Dome Network Camera

## Features



### 3x Optical Zoom Lens

A wide-angle, 3x optical zoom lens delivers detailed, panoramic image.



### Crisp 4K/8MP

Capturing 4K ultra HD video that delivers detailed images of vehicle, person, faces, and more.



### Edge AI Application

The powerful edge AI engine helps you to get a clear vehicle and person detection events from your mobile phone and no need any extra server investment.



### Up to 14 Days Edge Storage

A Built-in up to 128GB micro-sd card slot plus Anviz smart stream technology ensures an up to 14 days full time edge storage.



### Indoor and Outdoor

Weather-resistant IP66-rated casing allows this versatile camera to be deployed anywhere.



### Crisp Night Vision

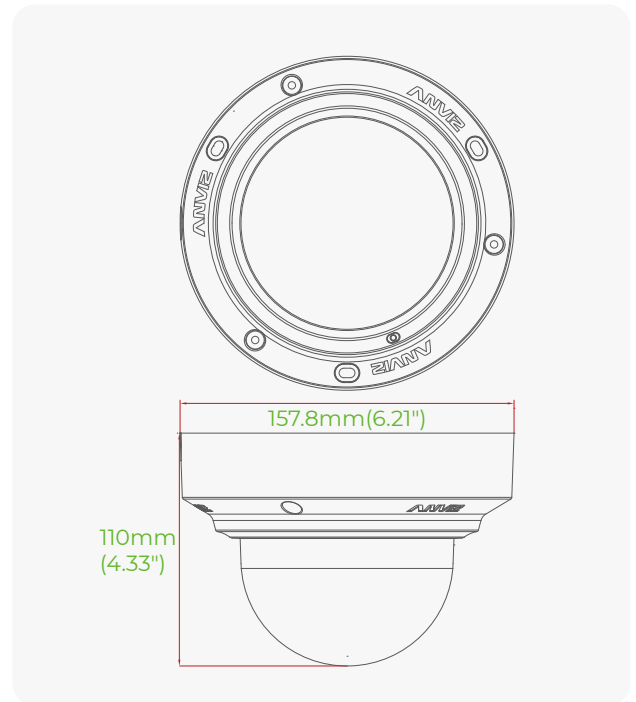
The infrared LEDs with an automatic IR cut filter and the enhanced low-light design delivers pristine image clarity, even in harsh weather or dark areas.



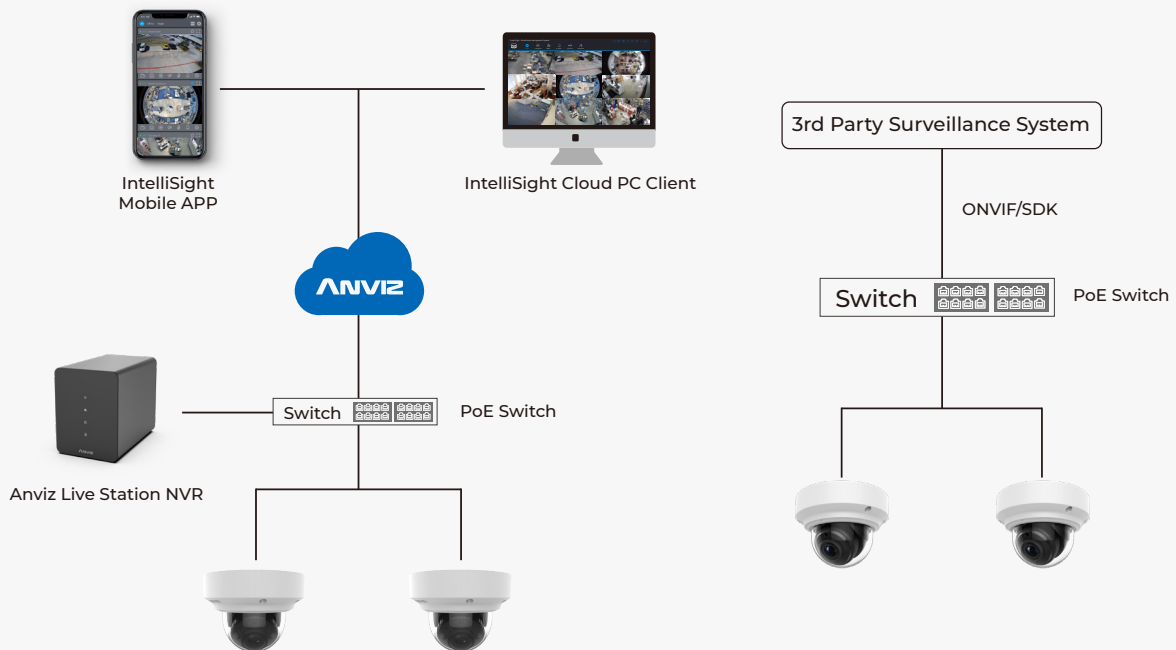
### Remote Access and Management

The camera could easily link to cloud and the IntelliSight mobile APP let you access to and manage the camera from anywhere using an iOS or Android smartphone.

## Product Dimensions



## System Configurations



## Anviz Global

32920 Alvarado-Niles Rd Ste 220, Union City, CA 94587

Toll-free: 1-855-268-4948 | [sales@anziv.com](mailto:sales@anziv.com) | [www.anziv.com](http://www.anziv.com)

©2022 Anviz Global Inc. Anviz and identifying product names and numbers herein are registered trademarks of Anviz Global Inc. All non-Anviz brands and product names are trademarks or registered trademarks of their respective companies. Product appearance, build status and/or specifications are subject to change without notice.