

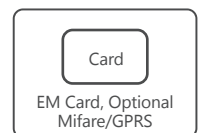
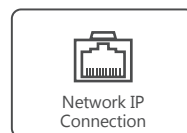
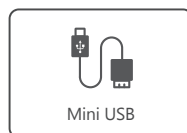
TC550

Fingerprint & RFID Time Attendance and Access Control



The Best Combination of Time Attendance and Access Control

TC550 multi-functional wall mounted fingerprint & RFID time attendance and access control utilizes BioNANO core fingerprint algorithm with high speed and stability. Easy operation and installation. Voice prompt. Standard USB Device, USB Host, TCP/IP. Dry contact , Wiegand26 input and output. 6-digit work code, 16 groups, 32 time zones, 30 bell schedulers and 50 short messages. TC550 has standard TCP/IP module and RFID card reader. It has multiple identification methods.



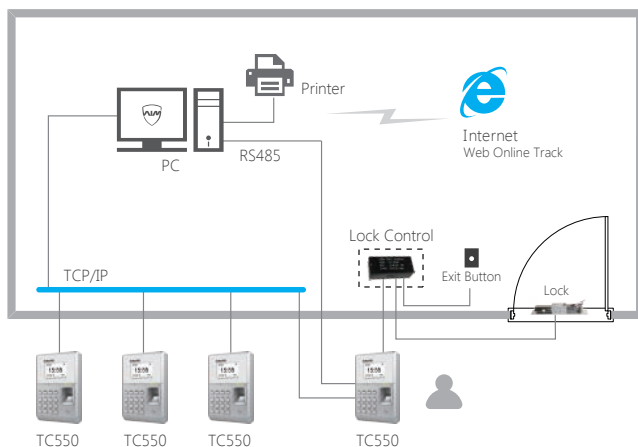
Technical Specifications

| | | |
|-------------------|---------------------------|---|
| Capacity | Fingerprint Capacity | 2,000 |
| | Card Capacity | 2,000 |
| | Log Capacity | 50,000 |
| Interface | Comm. | TCP/IP, USB Memory, Mini USB, Optional RS232 |
| | Relay | Relay Output |
| | I/O | Door Open Sensor, Switch, Wiegand26 In&Out |
| Feature | Identification Mode | FP, Card, ID+FP, ID+PW, PW+Card, FP+Card, FP+PW |
| | Verification Speed | <0.5 Sec |
| | Fingerprint Image Display | Yes |
| | Self-defined Status | 8 Customizable time and attendance status |
| | Short Message | 50 |
| | Scheduled Bell | 30 |
| | Groups & Time Schedules | 16 Groups, 32 Time Zones |
| | Workcode | Yes |
| | Software | Anviz Crosschex Standard |
| | Hardware | CPU |
| Sensor | | AFOS |
| Scan Area | | 22m*18mm |
| Resolution | | 500 DPI |
| RFID Card | | Standard EM, Optional Mifare |
| Dimensions(WxHxD) | | 125x189x35mm (4.9x7.4x1.4") |
| Temperature | | -30 C ~60 C |
| Power | | DC 12V |

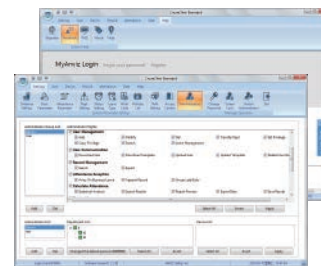
Features

- ▶ 32-Bit High Speed CPU of low power consumption
- ▶ BioNANO core fingerprint algorithm of high speed and stability
- ▶ New generation waterproof, dustproof and scratchproof AFOS fingerprint sensor
- ▶ Clear voice prompts along with all operations
- ▶ TCP/IP, USB Memory, Mini USB, No driver needed, Optional RS232
- ▶ Standard EM, Optional Mifare
- ▶ Realtime data transfer and WEB online tracking
- ▶ Various employee authentication methods
- ▶ Easy combination of fingerprint, password and card
- ▶ Fast fingerprint scan in less than 0.5 second
- ▶ 8 different customizable time and attendance status
- ▶ 6-digit work code to calculate different job cost
- ▶ Public and private short message display
- ▶ Support 12V power supply for electric/magnetic locks
- ▶ Relay output for easy integration with bell ring or electric/magnetic lock system
- ▶ Advanced access control with 16 groups and 32 time zones available
- ▶ Standard Wiegand output for seamless integration with access controller
- ▶ Wiegand input to connect external fingerprint, card or keypad reader
- ▶ Support multiple display and software language

Topology



CrossChex Time Attendance and Access Control Management System



-  **Employee**
Unify Employee management
-  **Device**
Quick Add, Easy Setting
-  **Shift**
Manual and intelligent shift schedule
-  **Export**
Flexible and Practical Report output



Easy to Operate



Simple to Install



Enhanced Security



Types of Reports