

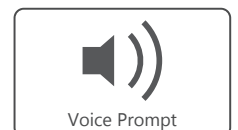
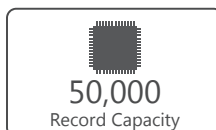
D100

Fingerprint Time Attendance



Desktop, Affordable, No Hardware Installation, USB Plug & Play

Desktop series D100 is a basic time and attendance system from Anviz, designed for small and medium companies. D100 doesn't require any installation. Just put it on the table and that's it! Whenever you need to get the employee in and out records, what you need to do is plug the USB cable to PC or laptop and download data into Bio-office simplified time & attendance software for reports. Even no need driver - just like a USB Flash Drive Host ! Everything is simple.



BioNANO - The core algorithm

BioNano is applied in all Anviz biometric-based products used for identification.



- Independent research and development
 - Suitable for both wet and dry fingers
 - Automatically heals the broken lines in fingerprint images
 - Extraction of features in worn fingerprints
- Fingerprint template auto update

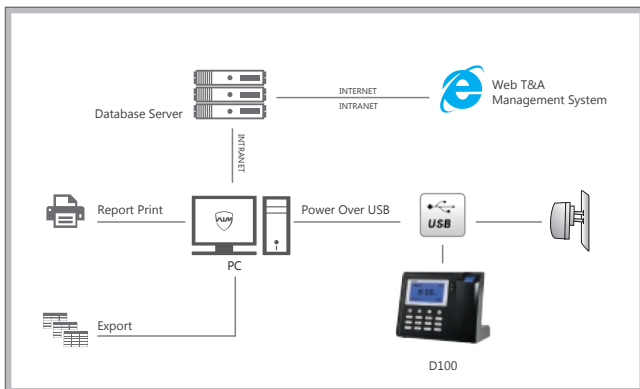
Technical Specifications

Item	Description
Processor	32-bit High Speed CPU
Algorithm	BioNANO
Sensor	AFOS
Scan Area	22mm*18mm
Resolution	500DPI
LCD	128*64 Blue LCD
Fingerprint Capacity	2000
Log Capacity	50000
Identification Mode	FP, ID+FP, ID+PW, FP+PW
Identification Time	<0.5 Sec
FRR	0.001%
FAR	0.00001%
Communication Interface	Mini USB slave
Fingerprint Image Display	Yes
Self-defined Status	8
Workcode	Yes
Dimensions(WxHxD)	160 x 130 x 90mm(6.3x5.12x3.54")
Temperature	-30 C ~60 C
Operating Voltage	DC 5V
Certificates	CE, FCC, RoHS
Software	Anviz Crosschex Lite

Features

- ▶ Desktop design for offices
- ▶ 32-bit high speed CPU of low power consumption
- ▶ BioNANO core algorithm of high speed and stability
- ▶ New generation fully sealed, waterproof and dustproof
- ▶ AFOS fingerprint sensor
- ▶ Clear voice prompts along with all operations
- ▶ Mini USB Slave, No driver needed
- ▶ Power over either USB or DC 5V
- ▶ Employee authentication methods: ID + password, ID + fingerprint, fingerprint only
- ▶ Fast fingerprint scan in less than 0.5 second
- ▶ 8 different customizable time and attendance status
- ▶ 6-digit work code feature to calculate different job cost
- ▶ Support multiple display and software language

Network Topology Illustration



- Employee**
Unify Employee management
- Device**
Quick Add, Easy Setting
- Shift**
Manual and intelligent shift schedule
- Export**
Flexible and Practical Report output



Easy to Operate



Simple to Install



Enhanced Security



Types of Reports