

# FaceDeep 5

AI Based Smart Face Recognition Terminal



Liveness Face  
Detection

**AI**

AI Deep Learning  
Architecture



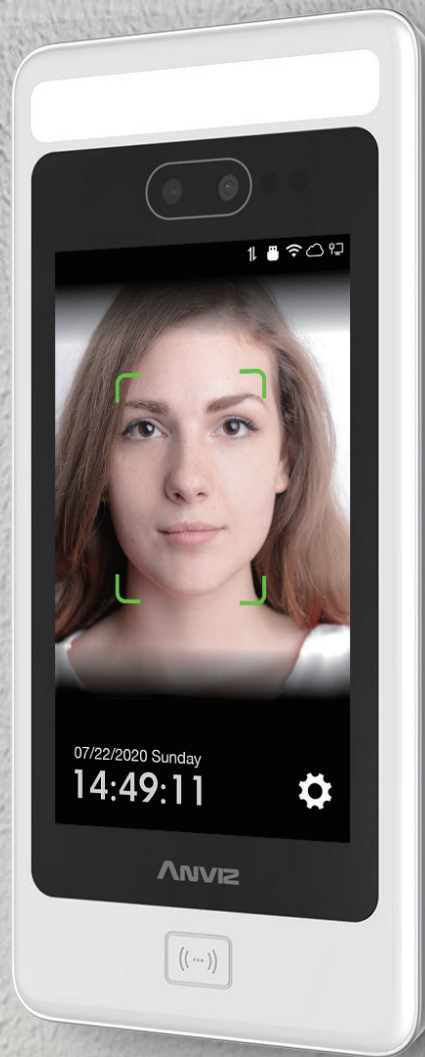
IP65



Mask  
Detection



125 KHz EM,  
13.56 MHz MiFARE,  
DESFire



- New generation touchless solution for the people to access control on the entrance or record time attendance and simultaneously check mask-wearing without having to touch a terminal or gate.
- Built-in IR and visual cameras integrated with Anviz's unique BioNANO<sup>®</sup> algorithm to produce the best in class live face recognition performance
- Mask not-wearing alert
- Register up to 50,000 users for dynamic face authentication
- Recognition distance up to 2M with matching speed < 300ms by 1: 50,000.
- Equipped with a 5" IPS full angles TFT-LCD screen.

# FaceDeep 5

AI Based Smart Face Recognition Terminal

## Features



### 1GHz Linux Based Processor

The new Linux based 1GHz processor ensures the 1:50,000 comparison time less than 0.3 second.



### Wi-Fi Flexible Communication

Wi-Fi function can realize stable wireless communication and realize flexible installation of equipment.



### Liveness Face Detection

Live face recognition based on infrared and visible light.



### Wide Angle Camera

The ultra-wide-angle camera enables fast face recognition.



### IPS Full Screen

The colorful IPS screen ensures the best interaction and user experiences and can also provide clear notifications to the users.



### Web Server

The web server ensures the easily quick connection and self management of the device.



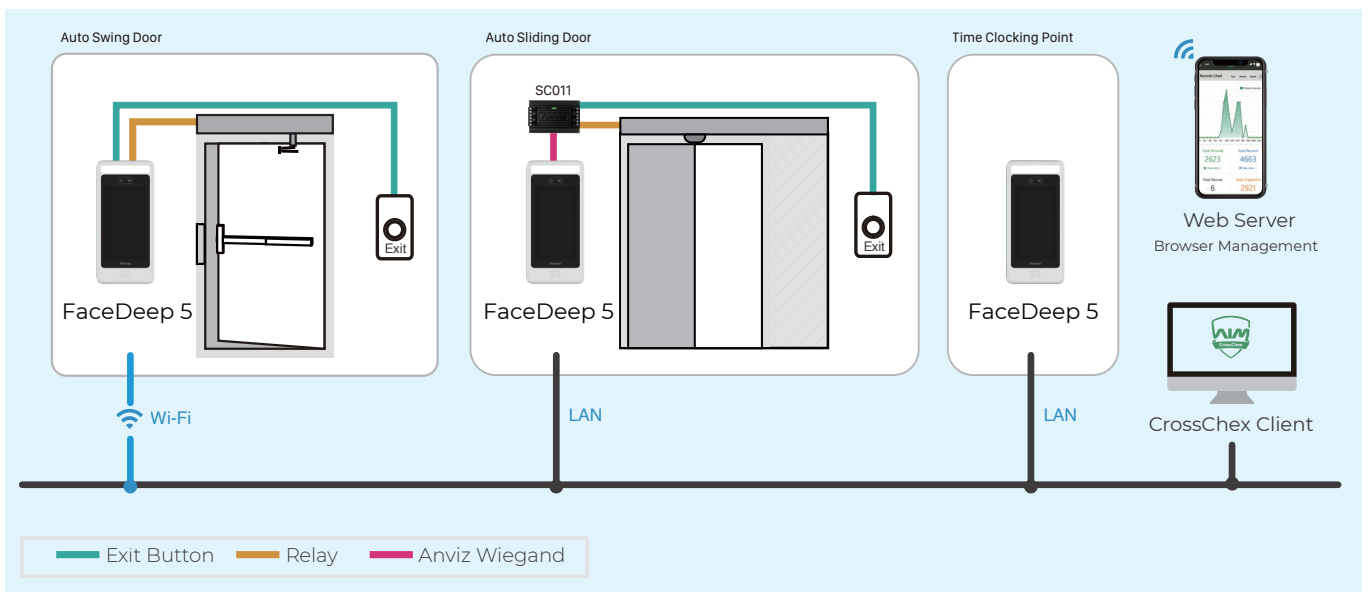
### Cloud Application

The web based cloud application let you access to the device by any mobile terminal from anytime and anywhere.

## Key Specifications

Max. Users	50,000
Max. Cards	50,000
Max. Logs	100,000
Communication	TCP/IP, RS232, Wi-Fi
Identification Mode	Face, Password, RFID Card
Identification Distance	0.3~2 M (11.81~78.74")
Identification Speed	<300ms
RFID Card	125 KHz EM, 13.56 MHz: MiFARE, DESFire
CPU	Dual Core Linux Based 1GHz CPU With Enhanced AI Computing Power
Temperature Range	-10 °C (14 °F)- 50 °C (122 °F)
Humidity	20% to 90%
Power	DC12V 3A
IP Ratings	IP65
Camera Angle Range For Verification	74.38°(Visual), 67.57°(Infrared)

## System Configurations



### Anviz Global Inc.

41656 Christy Street Fremont, Fremont, CA, 94538

Tel: 1-510-573-6552 | Toll-free: 1-855-268-4948 | [sales@anziv.com](mailto:sales@anziv.com) | [www.anziv.com](http://www.anziv.com)

©2020 Anviz Global Inc. Anviz and identifying product names and numbers herein are registered trademarks of Anviz Global Inc. All non-Anviz brands and product names are trademarks or registered trademarks of their respective companies. Product appearance, build status and/or specifications are subject to change without notice.